



## L3 28 ports Full Gigabit Managed Industrial Switches BI924GM8FC4T

### ❖ Overview

The BI924GM8FC4T is a 28-port, Full Gigabit Managed Industrial Switch that uses as an optical fiber link aggregation switch. It supports up to 24 \*10/100/1000M ports, 8\*1000 SFP combo ports, and 4\*1000/10G SFP ports. It supports L3 management, such as QoS, VLAN, MSTP, Multi-broadcast and ports management. It supports wall hanging and desktop installation, reliable and durable, and can be used in security network video monitoring, network engineering and other occasions.

### ❖ Picture



### ❖ Features

- ❖ With 24 \*10/100/1000M ports, 8\*1000 SFP combo ports, and 4\*1000/10G SFP ports;
- ❖ Support L3 management, such as QoS, VLAN, MSTP, Multi-broadcast and ports management;
- ❖ 6KV surge protection, 6KV contact / 8KV air ESD protection;
- ❖ Support working temperature -10°C~50°C ;
- ❖ Supports wall hanging and desktop installation.



## L3 28 ports Full Gigabit Managed Switches

### BI924GM8FC4T

#### ❖ Specifications

Parameter	Specifications
Power supply	AC power supply
Range of voltage	AC100-240V, 50/60Hz
Consumption	Self-consumption<20W.
Downlink ports	Ports 1~24 10/100/1000Base-TX RJ45,8*1000 SFP combo ports
Uplink ports	25~28 ports: 4*1000/10G SFP slots
Console port	RJ45 to serial port (38400,8,N,1)
Reset key	Short press restart >5s press recovery to default
Cable and distance	Use cat5e/6,100m
Standard	IEEE802.3, IEEE802.3u, IEEE802.3z
Switch fabric	128Gbps
Though put	95.2Mpps
Buffer	4M
MAC address table	16K
Indicator	Power: 1 *red ; Uplink25~28: 4*1000/10G SFP slots Downlink 1~24: On RJ45 green LEDs indicate Link/Act
Protection	Surge: 6KV, standard: IEC61000-4-5 ESD: 6KV: contact / 8KV: air, standard:IEC61000-4-2
Working temperature	-10℃~50℃
Storage temperature	-40℃~85℃
Humidity	0~95%(No condensation)
Dimension(L×W×H)	420mm×285mm×44mm
Material	Metal
Color	Black
Net-weight	4kg

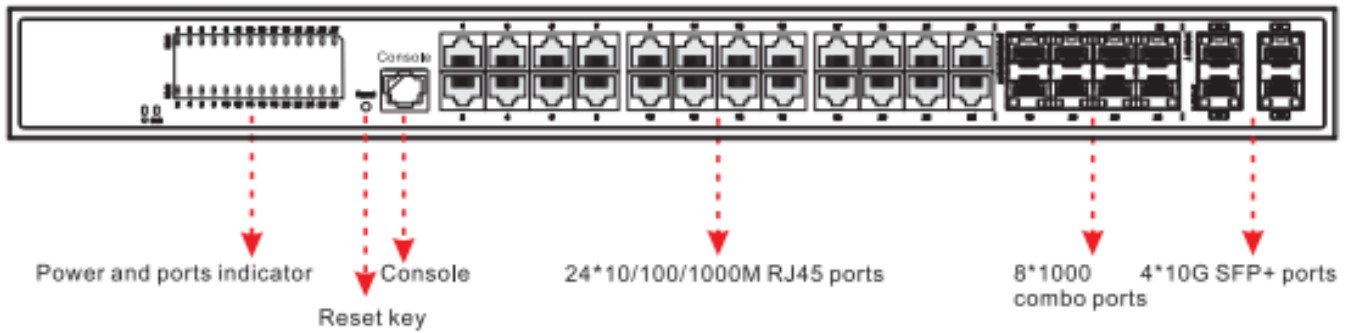


# L3 28 ports Full Gigabit Managed Switches

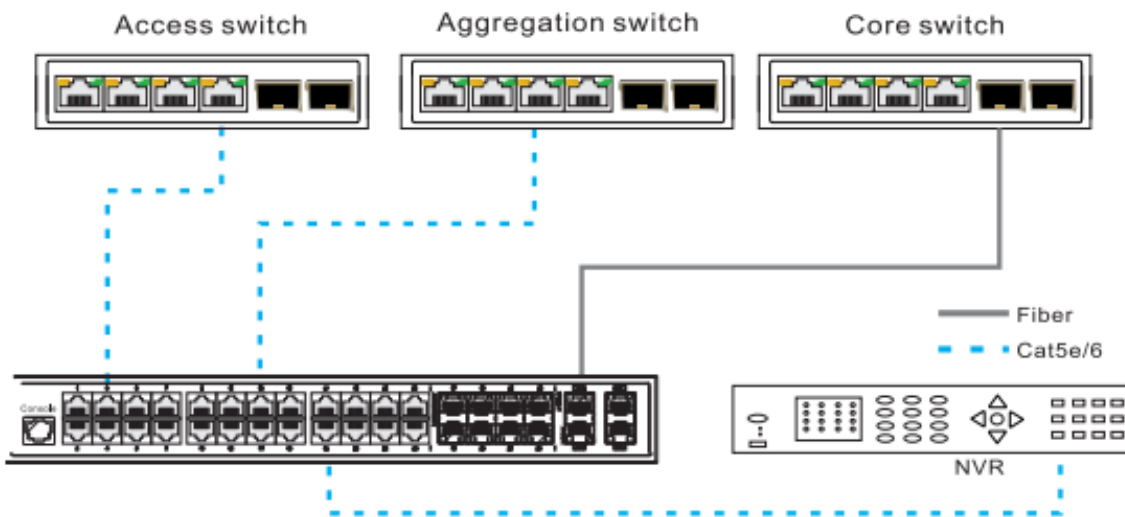
## BI924GM8FC4T

### ❖ Panel diagram

#### ● Front panel



### ❖ Application

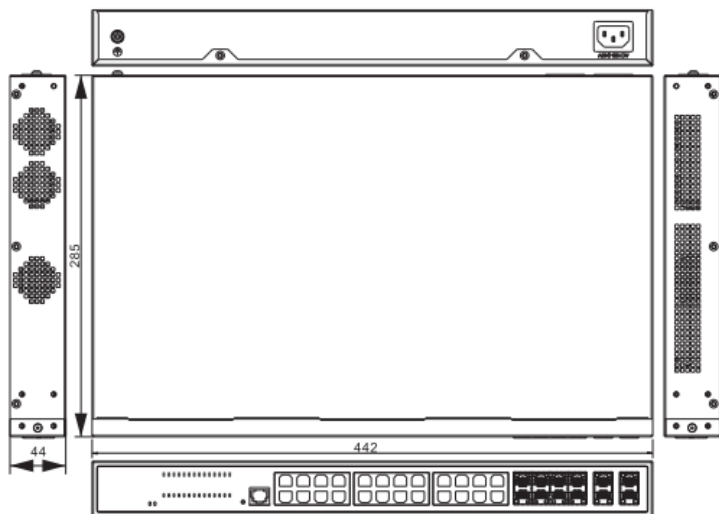




## L3 28 ports Full Gigabit Managed Switches

### BI924GM8FC4T

#### ❖ Dimensions



#### ❖ Order information

Model	Description
BI924GM8FC4T	With 24 *10/100/1000M ports, 8*1000 SFP combo ports, and 4*1000/10G SFP ports; It supports L3 management, such as QoS, VLAN, MSTP, Multi-broadcast and ports management; 6KV surge protection, 6KV contact / 8KV air ESD protection; It has the characteristics of reliable work, good for engineering installation, strong and durable, high cost performance and so on. It can be used in security network video monitoring system, network engineering and other occasions.

#### **BORN ELECTRONICS LIMITED**

**ADDRESS:**

#94A  
Goldsmith Avenue  
London  
United Kingdom  
Phone: +4479 1989 8604  
Email: [info@bornelectronics.com](mailto:info@bornelectronics.com)

**WARRANTY:**

2 YEARS (EXPANDABLE UPTO 4 YEARS)

**WEBSITE:** <http://bornelectronics.com/>